

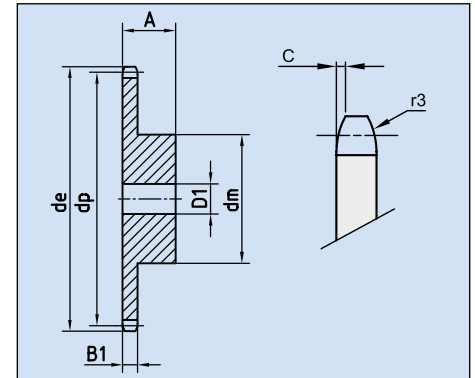
3/8" x 7/32" -06 B1

Artikel-Nr. Ketten Fuchs	Zähne- zahl z	Abmessungen in mm				
		allgemein		einfach		
		de	dp	dm	D1	A
341-110-012	12	40,0	36,80	25,0	8,0	25,0
341-110-013	13	43,0	39,79	28,0	10,0	25,0
341-110-014	14	46,3	42,80	31,0	10,0	25,0
341-110-015	15	49,3	45,81	34,0	10,0	25,0
341-110-016	16	52,3	48,82	37,0	10,0	28,0
341-110-017	17	55,3	51,83	40,0	10,0	28,0
341-110-018	18	58,3	54,85	43,0	10,0	28,0
341-110-019	19	61,3	57,87	45,0	10,0	28,0
341-110-020	20	64,3	60,89	46,0	10,0	28,0
341-110-021	21	68,0	63,91	48,0	12,0	28,0
341-110-022	22	71,0	66,93	50,0	12,0	28,0
341-110-023	23	73,5	69,65	52,0	12,0	28,0
341-110-024	24	77,0	72,97	54,0	12,0	28,0
341-110-025	25	80,0	76,00	57,0	12,0	28,0
341-110-030	30	94,7	91,12	60,0	12,0	30,0

1/2" x 5/16" -08 B1

Artikel-Nr. Ketten Fuchs	Zähne- zahl z	Abmessungen in mm				
		allgemein		einfach		
		de	dp	dm	D1	A
341-240-012	12	53,0	49,07	33,0	10,0	28,0
341-240-013	13	57,9	53,06	37,0	10,0	28,0
341-240-014	14	61,8	57,07	41,0	10,0	28,0
341-240-015	15	65,9	61,09	45,0	10,0	28,0
341-240-016	16	69,9	65,10	50,0	12,0	28,0
341-240-017	17	74,0	69,11	52,0	12,0	28,0
341-240-018	18	78,0	73,14	56,0	12,0	28,0
341-240-019	19	82,0	77,16	60,0	12,0	28,0
341-240-020	20	86,0	81,19	64,0	12,0	28,0
341-240-021	21	90,0	85,22	68,0	14,0	28,0
341-240-022	22	93,8	89,24	70,0	14,0	28,0
341-240-023	23	98,0	93,27	70,0	14,0	28,0
341-240-024	24	101,8	97,29	70,0	14,0	28,0
341-240-025	25	106,2	101,33	70,0	14,0	28,0
341-240-026	26	110,0	105,36	70,0	16,0	30,0
341-240-027	27	114,0	109,40	70,0	16,0	30,0
341-240-030	30	126,1	121,50	80,0	16,0	30,0
341-240-034	34	142,6	137,64	90,0	16,0	30,0
341-240-038	38	158,6	153,80	90,0	16,0	35,0
341-240-040	40	166,8	161,87	90,0	16,0	35,0

Kettenräder für Einfach-Rollenketten nach DIN-Nr. 8187 aus rostfreiem Stahl



3/8" x 7/32"

B1	C	r3
5,3	1,0	10

1/2" x 5/16"

B1	C	r3
7,2	1,3	13