

T 2.5 (Teilung = 2,5 mm) – für Zahnriemenbreite = 6 mm

Artikel-Nr. Ketten Fuchs	Zähne- zahl	Typ	Werk- stoff	Abmessungen in mm							
				de	dp	dm	Di	df	W	L	D1
16T2,5/12-2	12	1F	Al	9,00	9,60	13,0	–	13,0	9,0	16,0	–
16T2,5/14-2	14	1F	Al	10,60	11,20	15,0	–	15,0	9,0	16,0	–
16T2,5/15-2	15	1F	Al	11,40	12,00	15,0	–	15,0	9,0	16,0	–
16T2,5/16-2	16	1F	Al	12,20	12,80	16,0	–	16,0	9,0	16,0	–
16T2,5/18-2	18	6F	Al	13,80	14,40	10,0	–	17,5	10,0	16,0	–
16T2,5/19-2	19	6F	Al	14,60	15,20	10,0	–	20,0	10,0	16,0	–
16T2,5/20-2	20	6F	Al	15,40	16,00	11,0	–	20,0	10,0	16,0	–
16T2,5/22-2	22	6F	Al	17,00	17,60	11,0	–	22,0	10,0	16,0	–
16T2,5/24-2	24	6F	Al	18,55	19,15	12,0	–	22,0	10,0	16,0	4,0
16T2,5/25-2	25	6F	Al	19,35	19,95	13,0	–	25,0	10,0	16,0	4,0
16T2,5/26-2	26	6F	Al	20,15	20,75	14,0	–	26,0	10,0	16,0	4,0
16T2,5/28-2	28	6F	Al	21,75	22,35	14,0	–	26,0	10,0	16,0	4,0
16T2,5/30-2	30	6F	Al	23,35	23,95	16,0	–	26,0	10,0	16,0	6,0
16T2,5/32-2	32	6F	Al	24,95	25,55	16,0	–	32,0	10,0	16,0	6,0
16T2,5/36-2	36	6F	Al	28,10	28,75	20,0	–	36,0	10,0	16,0	6,0
16T2,5/40-2	40	6F	Al	31,30	31,90	22,0	–	38,0	10,0	16,0	6,0
16T2,5/44-0	44	6	Al	34,50	35,10	24,0	–	–	10,0	16,0	6,0
16T2,5/48-0	48	6	Al	37,70	38,30	26,0	–	–	10,0	16,0	6,0
16T2,5/60-0	60	6	Al	47,25	47,85	34,0	–	–	10,0	16,0	8,0

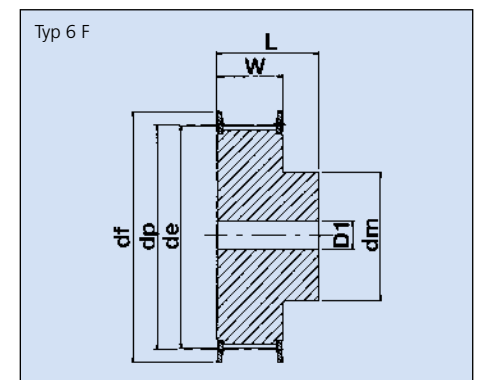
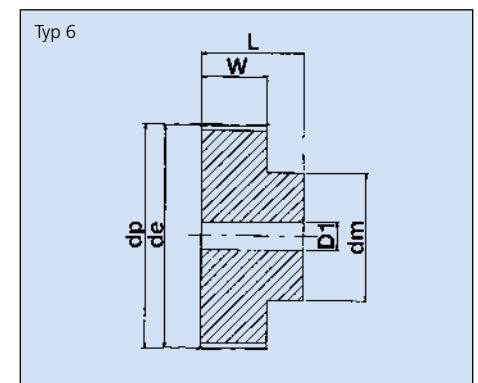
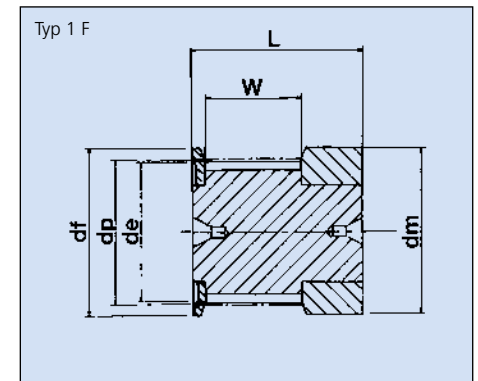
T 5 (Teilung = 5 mm) – für Zahnriemenbreite = 10 mm

Artikel-Nr. Ketten Fuchs	Zähne- zahl	Typ	Werk- stoff	Abmessungen in mm							
				de	dp	dm	Di	df	W	L	D1
21T5/10-2	10	6F	Al	15,05	15,92	8,0	–	19,5	15,0	21,0	–
21T5/12-2	12	6F	Al	18,25	19,10	11,0	–	23,0	15,0	21,0	–
21T5/14-2	14	6F	Al	21,45	22,29	13,0	–	25,0	15,0	21,0	–
21T5/15-2	15	6F	Al	23,05	23,88	16,0	–	28,0	15,0	21,0	6,0
21T5/16-2	16	6F	Al	24,60	25,47	18,0	–	32,0	15,0	21,0	6,0
21T5/18-2	18	6F	Al	27,80	28,65	20,0	–	32,0	15,0	21,0	6,0
21T5/19-2	19	6F	Al	29,40	30,25	22,0	–	36,0	15,0	21,0	6,0
21T5/20-2	20	6F	Al	31,00	31,83	23,0	–	36,0	15,0	21,0	6,0
21T5/22-2	22	6F	Al	34,15	35,02	24,0	–	38,0	15,0	21,0	6,0
21T5/24-2	24	6F	Al	37,40	38,21	26,0	–	42,0	15,0	21,0	6,0
21T5/25-2	25	6F	Al	38,95	39,80	26,0	–	44,0	15,0	21,0	6,0
21T5/26-2	26	6F	Al	40,60	41,39	26,0	–	44,0	15,0	21,0	6,0
21T5/27-2	27	6F	Al	42,20	42,98	30,0	–	48,0	15,0	21,0	8,0
21T5/28-2	28	6F	Al	43,75	44,58	32,0	–	48,0	15,0	21,0	8,0
21T5/30-2	30	6F	Al	46,95	47,76	34,0	–	51,0	15,0	21,0	8,0
21T5/32-2	32	6F	Al	50,10	50,94	38,0	–	54,0	15,0	21,0	8,0
21T5/36-2	36	6F	Al	56,45	57,31	38,0	–	64,0	15,0	21,0	8,0
21T5/40-2	40	6F	Al	62,85	63,66	40,0	–	66,5	15,0	21,0	8,0
21T5/42-2	42	6F	Al	66,00	66,86	40,0	–	70,0	15,0	21,0	8,0
21T5/44-0	44	6	Al	69,20	70,05	45,0	–	–	15,0	21,0	8,0
21T5/48-0	48	6	Al	75,55	76,42	50,0	–	–	15,0	21,0	8,0
21T5/60-0	60	6	Al	94,65	95,52	65,0	–	–	15,0	21,0	8,0

T 5 (Teilung = 5 mm) – für Zahnriemenbreite = 16 mm

Artikel-Nr. Ketten Fuchs	Zähne- zahl	Typ	Werk- stoff	Abmessungen in mm							
				de	dp	dm	Di	df	W	L	D1
27T5/10-2	10	6F	Al	15,05	15,92	8,0	–	19,5	21,0	27,0	–
27T5/12-2	12	6F	Al	18,25	19,10	11,0	–	23,0	21,0	27,0	–
27T5/14-2	14	6F	Al	21,45	22,29	13,0	–	25,0	21,0	27,0	–
27T5/15-2	15	6F	Al	23,05	23,88	16,0	–	28,0	21,0	27,0	6,0
27T5/16-2	16	6F	Al	24,60	25,47	18,0	–	32,0	21,0	27,0	6,0
27T5/18-2	18	6F	Al	27,80	28,65	20,0	–	32,0	21,0	27,0	6,0
27T5/19-2	19	6F	Al	29,40	30,25	22,0	–	36,0	21,0	27,0	6,0
27T5/20-2	20	6F	Al	31,00	31,83	23,0	–	36,0	21,0	27,0	6,0
27T5/22-2	22	6F	Al	34,15	35,02	24,0	–	38,0	21,0	27,0	6,0
27T5/24-2	24	6F	Al	37,40	38,21	26,0	–	42,0	21,0	27,0	6,0
27T5/25-2	25	6F	Al	38,95	39,80	26,0	–	44,0	21,0	27,0	6,0
27T5/26-2	26	6F	Al	40,60	41,39	26,0	–	44,0	21,0	27,0	6,0
27T5/27-2	27	6F	Al	42,20	42,98	30,0	–	48,0	21,0	27,0	8,0
27T5/28-2	28	6F	Al	43,75	44,58	32,0	–	48,0	21,0	27,0	8,0
27T5/30-2	30	6F	Al	46,95	47,76	34,0	–	51,0	21,0	27,0	8,0
27T5/32-2	32	6F	Al	50,10	50,94	38,0	–	54,0	21,0	27,0	8,0
27T5/36-2	36	6F	Al	56,45	57,31	38,0	–	64,0	21,0	27,0	8,0
27T5/40-2	40	6F	Al	62,85	63,66	40,0	–	66,5	21,0	27,0	8,0
27T5/42-2	42	6F	Al	66,00	66,86	40,0	–	70,0	21,0	27,0	8,0
27T5/44-0	44	6	Al	69,20	70,05	45,0	–	–	21,0	27,0	8,0
27T5/48-0	48	6	Al	75,55	76,42	50,0	–	–	21,0	27,0	8,0
27T5/60-0	60	6	Al	94,65	95,52	65,0	–	–	21,0	27,0	8,0

Zahnriemenscheiben (metrische T-Teilung)



Bestellbeispiel

40	T 10 / 30-2	Scheibenbreite (L)
		Teilung 10mm
		Zähnezahl
		mit Bordscheiben
	-0	ohne Bordscheiben

lieferbar:

- mit Vorbohrung (siehe Maß d)
- mit Fertigbohrung und Nut nach DIN-Nr. 6885 (gemäß Ihren Angaben)