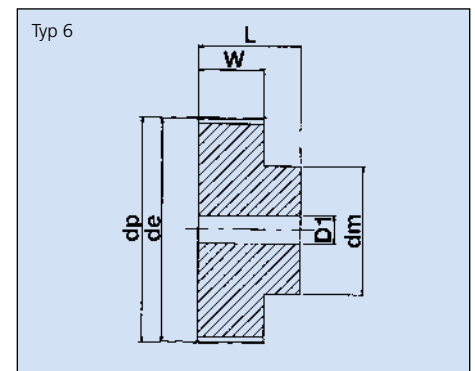


HTD-Zahnriemenscheiben

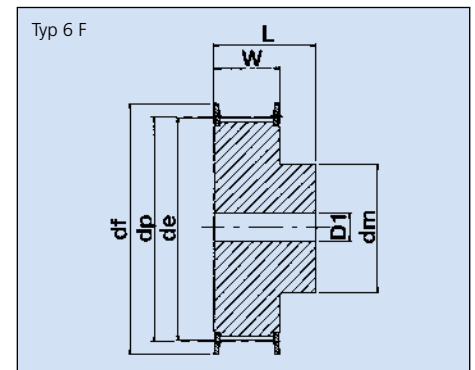
5M-15 (Teilung = 5 mm) – für Zahnriemenbreite = 15 mm

Artikel-Nr. Ketten Fuchs	Zähne- zahl	Typ	Werk- stoff	Abmessungen in mm							
				de	dp	dm	Di	df	W	L	D1
12-5M-15	12	6F	St	17,96	19,10	13,0	-	23,0	20,5	26,0	-
14-5M-15	14	6F	St	21,14	22,28	13,0	-	25,0	20,5	26,0	6,0
15-5M-15	15	6F	St	22,73	23,87	16,0	-	28,0	20,5	26,0	6,0
16-5M-15	16	6F	St	24,32	25,46	16,5	-	28,0	20,5	26,0	6,0
18-5M-15	18	6F	St	27,51	28,65	20,0	-	32,0	20,5	26,0	6,0
20-5M-15	20	6F	St	30,69	31,82	23,0	-	36,0	20,5	26,0	6,0
21-5M-15	21	6F	St	32,28	33,42	24,0	-	38,0	20,5	26,0	6,0
22-5M-15	22	6F	St	33,87	35,01	25,5	-	39,0	20,5	26,0	6,0
24-5M-15	24	6F	St	37,06	38,20	27,0	-	42,0	20,5	28,0	6,0
26-5M-15	26	6F	St	40,24	41,38	30,0	-	44,0	20,5	28,0	6,0
28-5M-15	28	6F	St	43,42	44,56	30,5	-	48,0	20,5	28,0	6,0
30-5M-15	30	6F	St	46,60	47,75	35,0	-	51,0	20,5	28,0	6,0
32-5M-15	32	6F	St	49,79	50,93	38,0	-	54,0	20,5	28,0	8,0
36-5M-15	36	6F	St	56,16	57,30	38,0	-	60,0	20,5	28,0	8,0
40-5M-15	40	6F	St	62,52	63,66	38,0	-	71,0	20,5	28,0	8,0
44-5M-15	44	6W	Al	68,89	70,03	38,0	54,0	-	20,5	30,0	8,0
48-5M-15	48	6W	Al	75,25	76,39	38,0	61,0	-	20,5	30,0	8,0
60-5M-15	60	6W	Al	94,35	95,49	50,0	80,0	-	20,5	30,0	8,0
72-5M-15	72	6W	Al	113,45	114,59	50,0	100,0	-	20,5	30,0	8,0



5M-25 (Teilung = 5 mm) – für Zahnriemenbreite = 25 mm

Artikel-Nr. Ketten Fuchs	Zähne- zahl	Typ	Werk- stoff	Abmessungen in mm							
				de	dp	dm	Di	df	W	L	D1
12-5M-25	12	6F	St	17,96	19,10	13,0	-	23,0	30,5	36,0	-
14-5M-25	14	6F	St	21,14	22,28	13,0	-	25,0	30,5	36,0	6,0
15-5M-25	15	6F	St	22,73	23,87	16,0	-	28,0	30,5	36,0	6,0
16-5M-25	16	6F	St	24,32	25,46	16,5	-	28,0	30,5	36,0	6,0
18-5M-25	18	6F	St	27,51	28,65	20,0	-	32,0	30,5	36,0	6,0
20-5M-25	20	6F	St	30,69	31,82	23,0	-	36,0	30,5	36,0	6,0
21-5M-25	21	6F	St	32,28	33,42	24,0	-	38,0	30,5	38,0	6,0
22-5M-25	22	6F	St	33,87	35,01	25,5	-	39,0	30,5	38,0	6,0
24-5M-25	24	6F	St	37,06	38,20	27,0	-	42,0	30,5	38,0	6,0
26-5M-25	26	6F	St	40,24	41,38	30,0	-	44,0	30,5	38,0	6,0
28-5M-25	28	6F	St	43,42	44,56	30,5	-	48,0	30,5	38,0	6,0
30-5M-25	30	6F	St	46,60	47,75	35,0	-	51,0	30,5	38,0	6,0
32-5M-25	32	6F	St	49,79	50,93	38,0	-	54,0	30,5	38,0	8,0
36-5M-25	36	6F	St	56,16	57,30	38,0	-	60,0	30,5	38,0	8,0
40-5M-25	40	6F	St	62,52	63,66	38,0	-	71,0	30,5	38,0	8,0
44-5M-25	44	6	Al	68,89	70,03	38,0	-	-	30,5	40,0	8,0
48-5M-25	48	6W	Al	75,25	76,39	38,0	61,0	-	30,5	40,0	8,0
60-5M-25	60	6W	Al	94,35	95,49	50,0	80,0	-	30,5	40,0	8,0
72-5M-25	72	6W	Al	113,45	114,59	50,0	100,0	-	30,5	40,0	8,0



8M-20 (Teilung = 8 mm) – für Zahnriemenbreite = 20 mm

Artikel-Nr. Ketten Fuchs	Zähne- zahl	Typ	Werk- stoff	Abmessungen in mm							
				de	dp	dm	Di	df	W	L	D1
22-8M-20	22	6F	St	54,65	56,02	43,0	-	60,0	28,0	38,0	12,0
24-8M-20	24	6F	St	59,75	61,12	45,0	-	66,0	28,0	38,0	12,0
26-8M-20	26	6F	St	64,85	66,21	48,0	-	70,0	28,0	38,0	12,0
28-8M-20	28	6F	St	70,08	71,30	50,0	-	75,0	28,0	38,0	15,0
30-8M-20	30	6F	St	75,13	76,39	55,0	-	83,0	28,0	38,0	15,0
32-8M-20	32	6F	St	80,16	81,49	60,0	-	87,0	28,0	38,0	15,0
34-8M-20	34	6F	St	85,22	86,58	66,0	-	91,0	28,0	38,0	15,0
36-8M-20	36	6F	St	90,30	91,67	70,0	-	97,0	28,0	38,0	15,0
38-8M-20	38	6F	St	95,39	96,77	75,0	-	102,0	28,0	38,0	15,0
40-8M-20	40	6F	St	100,49	101,86	75,0	-	106,0	28,0	38,0	15,0
44-8M-20	44	6F	St	110,67	112,05	75,0	-	120,0	28,0	38,0	15,0
48-8M-20	48	6F	St	120,86	122,23	75,0	-	128,0	28,0	38,0	15,0
56-8M-20	56	6WF	St	141,23	142,60	80,0	116,0	150,0	28,0	38,0	15,0
64-8M-20	64	6WF	St	161,60	162,97	80,0	137,0	168,0	28,0	38,0	15,0
72-8M-20	72	6WF	St	181,97	183,35	80,0	158,0	192,0	28,0	38,0	15,0
80-8M-20	80	6WF	Al	202,35	203,72	90,0	180,0	-	28,0	38,0	15,0
90-8M-20	90	6WF	Al	227,81	229,18	90,0	204,0	-	28,0	38,0	15,0
112-8M-20	112	6A	GG	283,83	285,21	90,0	254,0	-	28,0	38,0	18,0
144-8M-20	144	6A	GG	365,32	366,69	90,0	336,0	-	28,0	38,0	20,0
168-8M-20	168	6A	GG	426,44	427,81	100,0	400,0	-	28,0	38,0	20,0
192-8M-20	192	6A	GG	487,55	488,92	100,0	460,0	-	28,0	38,0	20,0

