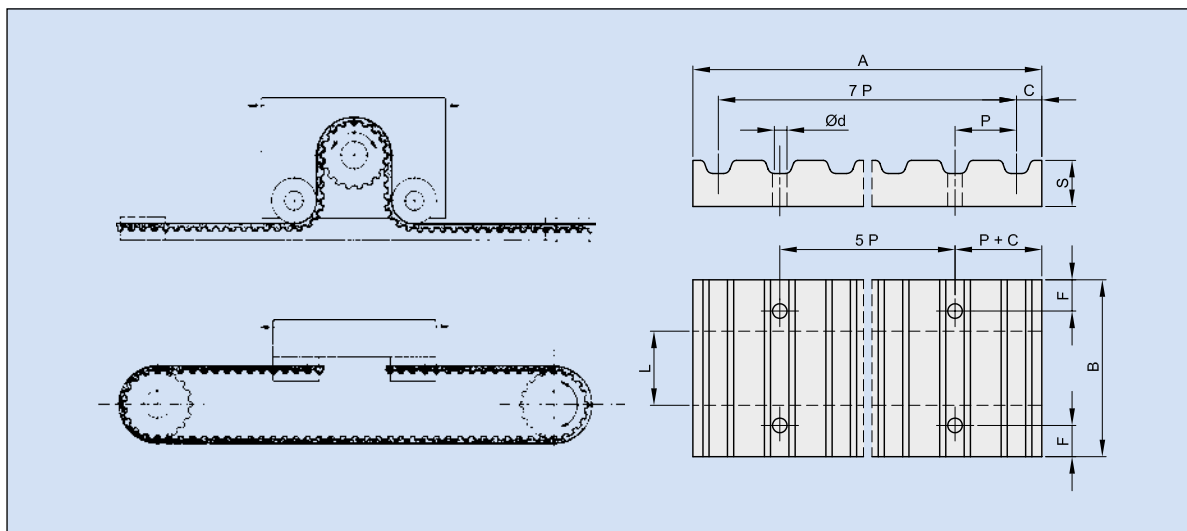


Spann- platten für Zahn- riemen



Material: Aluminium uni 9006 – T6

Artikel-Nr. Ketten Fuchs	P (Teilung)	Abmessungen in mm							für Zahnriemenbreite L
		A	B	d ϕ	F	C	S		
KPLT510	5	41,8	29,0	5,5	6,0	3,2	8,0	10	
KPLT516	5	41,8	35,0	5,5	6,0	3,2	8,0	16	
KPLT525	5	41,8	44,0	5,5	6,0	3,2	8,0	25	
KPLT1016	10	80,0	41,0	9,0	8,0	5,0	15,0	16	
KPLT1025	10	80,0	50,0	9,0	8,0	5,0	15,0	25	
KPLT1032	10	80,0	57,0	9,0	8,0	5,0	15,0	32	
KPLT1050	10	80,0	75,0	9,0	8,0	5,0	15,0	50	
KPLAT510	5	41,8	29,0	5,5	6,0	3,2	8,0	10	
KPLAT516	5	41,8	35,0	5,5	6,0	3,2	8,0	16	
KPLAT525	5	41,8	44,0	5,5	6,0	3,2	8,0	25	
KPLAT1016	10	80,0	41,0	9,0	8,0	5,0	15,0	16	
KPLAT1025	10	80,0	50,0	9,0	8,0	5,0	15,0	25	
KPLAT1032	10	80,0	57,0	9,0	8,0	5,0	15,0	32	
KPLAT1050	10	80,0	75,0	9,0	8,0	5,0	15,0	50	
KPL5M09	5	41,5	28,0	5,5	6,0	3,2	8,0	9	
KPL5M15	5	41,5	34,0	5,5	6,0	3,2	8,0	15	
KPL5M25	5	41,5	44,0	5,5	6,0	3,2	8,0	25	
KPL8M20	8	66,0	45,0	9,0	8,0	5,0	15,0	20	
KPL8M30	8	66,0	55,0	9,0	8,0	5,0	15,0	30	
KPL8M50	8	66,0	75,0	9,0	8,0	5,0	15,0	50	
KPL8M85	8	66,0	110,0	9,0	8,0	5,0	15,0	85	
KPL14M40	14	116,0	71,0	11,0	10,0	9,0	22,0	40	
KPL14M55	14	116,0	86,0	11,0	10,0	9,0	22,0	55	
KPL14M85	14	116,0	116,0	11,0	10,0	9,0	22,0	85	
KPL14M115	14	116,0	146,0	11,0	10,0	9,0	22,0	115	
KPL14M170	14	116,0	201,0	11,0	10,0	9,0	22,0	170	