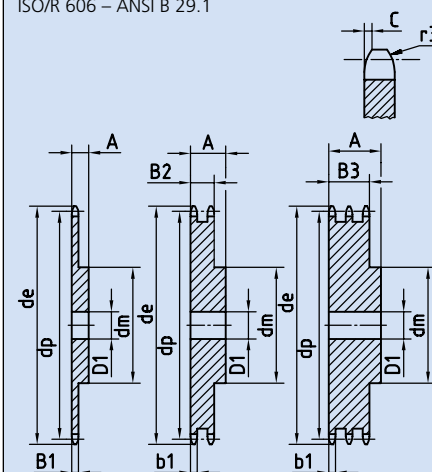


| Zähnezahl Z | Abmessungen in mm allgemein de dp | | Artikel-Nr. Ketten Fuchs | | | | | | | | |
|----------------|--|--------|--------------------------|------|------|-----------------------|------|------|-----------------------|------|------|
| | | | 321-110- (+Zähnezahl) | | | 322-110- (+Zähnezahl) | | | 323-110- (+Zähnezahl) | | |
| | | | einfach | | A | zweifach | | A | dreifach | | A |
| dm | D1 | dm | D1 | dm | | D1 | | | | | |
| 008 | 28,0 | 24,89 | 15,0 | 6,0 | 22,0 | 15,0 | 6,0 | 22,0 | 15,0 | 6,0 | 22,0 |
| 009 | 31,0 | 27,85 | 18,0 | 8,0 | 22,0 | 18,0 | 8,0 | 22,0 | 18,0 | 8,0 | 22,0 |
| 010 | 34,0 | 30,82 | 20,0 | 8,0 | 22,0 | 20,0 | 8,0 | 22,0 | 20,0 | 10,0 | 32,0 |
| 011 | 37,0 | 33,80 | 22,0 | 8,0 | 25,0 | 22,0 | 10,0 | 25,0 | 22,0 | 10,0 | 35,0 |
| 012 | 40,0 | 36,80 | 25,0 | 8,0 | 25,0 | 25,0 | 10,0 | 25,0 | 25,0 | 10,0 | 35,0 |
| 013 | 43,0 | 39,79 | 28,0 | 10,0 | 25,0 | 28,0 | 10,0 | 25,0 | 28,0 | 10,0 | 35,0 |
| 014 | 46,3 | 42,80 | 31,0 | 10,0 | 25,0 | 31,0 | 10,0 | 25,0 | 31,0 | 12,0 | 35,0 |
| 015 | 49,3 | 45,81 | 34,0 | 10,0 | 25,0 | 34,0 | 10,0 | 25,0 | 34,0 | 12,0 | 35,0 |
| 016 | 52,3 | 48,82 | 37,0 | 10,0 | 28,0 | 37,0 | 12,0 | 30,0 | 37,0 | 12,0 | 35,0 |
| 017 | 55,3 | 51,83 | 40,0 | 10,0 | 28,0 | 40,0 | 12,0 | 30,0 | 40,0 | 12,0 | 35,0 |
| 018 | 58,3 | 54,85 | 43,0 | 10,0 | 28,0 | 43,0 | 12,0 | 30,0 | 43,0 | 12,0 | 35,0 |
| 019 | 61,3 | 57,87 | 45,0 | 10,0 | 28,0 | 46,0 | 12,0 | 30,0 | 46,0 | 12,0 | 35,0 |
| 020 | 64,3 | 60,89 | 46,0 | 10,0 | 28,0 | 49,0 | 12,0 | 30,0 | 49,0 | 12,0 | 35,0 |
| 021 | 68,0 | 63,91 | 48,0 | 12,0 | 28,0 | 52,0 | 12,0 | 30,0 | 52,0 | 14,0 | 40,0 |
| 022 | 71,0 | 66,93 | 50,0 | 12,0 | 28,0 | 55,0 | 12,0 | 30,0 | 55,0 | 14,0 | 40,0 |
| 023 | 73,5 | 69,95 | 52,0 | 12,0 | 28,0 | 58,0 | 12,0 | 30,0 | 58,0 | 14,0 | 40,0 |
| 024 | 77,0 | 72,97 | 54,0 | 12,0 | 28,0 | 61,0 | 12,0 | 30,0 | 61,0 | 14,0 | 40,0 |
| 025 | 80,0 | 76,00 | 57,0 | 12,0 | 28,0 | 64,0 | 12,0 | 30,0 | 64,0 | 14,0 | 40,0 |
| 026 | 83,0 | 79,02 | 60,0 | 12,0 | 28,0 | 67,0 | 12,0 | 30,0 | 67,0 | 14,0 | 40,0 |
| 027 | 86,0 | 82,05 | 60,0 | 12,0 | 28,0 | 70,0 | 12,0 | 30,0 | 70,0 | 14,0 | 40,0 |
| 028 | 89,0 | 85,07 | 60,0 | 12,0 | 28,0 | 73,0 | 12,0 | 30,0 | 73,0 | 14,0 | 40,0 |
| 029 | 92,0 | 88,09 | 60,0 | 12,0 | 28,0 | 76,0 | 12,0 | 30,0 | 76,0 | 14,0 | 40,0 |
| 030 | 94,7 | 91,12 | 60,0 | 12,0 | 30,0 | 79,0 | 12,0 | 30,0 | 79,0 | 14,0 | 40,0 |
| 031 | 98,3 | 94,15 | 65,0 | 14,0 | 30,0 | 80,0 | 16,0 | 30,0 | 80,0 | 16,0 | 40,0 |
| 032 | 101,3 | 97,17 | 65,0 | 14,0 | 30,0 | 80,0 | 16,0 | 30,0 | 80,0 | 16,0 | 40,0 |
| 033 | 104,3 | 100,20 | 65,0 | 14,0 | 30,0 | 80,0 | 16,0 | 30,0 | 80,0 | 16,0 | 40,0 |
| 034 | 107,3 | 103,23 | 65,0 | 14,0 | 30,0 | 80,0 | 16,0 | 30,0 | 85,0 | 16,0 | 40,0 |
| 035 | 110,4 | 106,26 | 65,0 | 14,0 | 30,0 | 80,0 | 16,0 | 30,0 | 85,0 | 16,0 | 40,0 |
| 036 | 113,4 | 109,29 | 70,0 | 16,0 | 30,0 | 90,0 | 16,0 | 30,0 | 90,0 | 16,0 | 40,0 |
| 037 | 116,4 | 112,32 | 70,0 | 16,0 | 30,0 | 90,0 | 16,0 | 30,0 | 90,0 | 16,0 | 40,0 |
| 038 | 119,5 | 115,35 | 70,0 | 16,0 | 30,0 | 90,0 | 16,0 | 30,0 | 90,0 | 16,0 | 40,0 |
| 039 | 122,5 | 118,37 | 70,0 | 16,0 | 30,0 | 90,0 | 16,0 | 30,0 | 90,0 | 16,0 | 40,0 |
| 040 | 125,5 | 121,40 | 70,0 | 16,0 | 30,0 | 90,0 | 16,0 | 30,0 | 90,0 | 16,0 | 40,0 |

Kettenrad 3/8 x 7/32"

für Rollenkette
nach DIN-Nr. 8187
ISO/R 606 – ANSI B 29.1



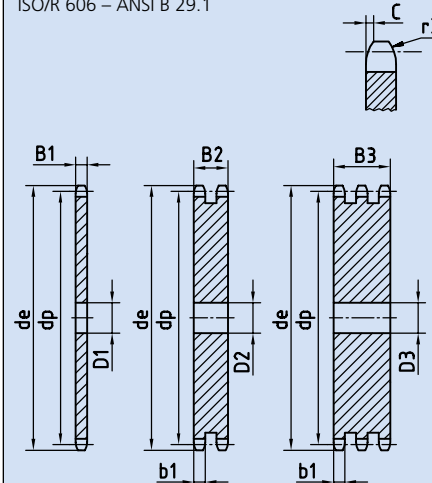
*Kettenräder mit angeschweißter Nabe

| Kettenrad | ISO mm | ASA-35 mm |
|--------------------------------|--------|-----------|
| Zahnkopfrundung r ₃ | 10 | 10 |
| Breite der Rundung C | 1 | 1,2 |
| Zahnkranzbreite B ₁ | 5,3 | 4,3 |
| Zahnkranzbreite b ₁ | 5,2 | 4,1 |
| Zahnkranzbreite B ₂ | 15,4 | 14,3 |
| Zahnkranzbreite B ₃ | 25,6 | 24,4 |
| Kette | mm | mm |
| Teilung | 9,525 | 9,525 |
| Innere Breite | 5,72 | 4,77 |
| Rollen-ø | 6,35 | 5,08 |

| Zähnezahl Z | Abmessungen in mm allgemein de dp | | Artikel-Nr. Ketten Fuchs | | | Z | Abmessungen in mm allgemein de dp | | Artikel-Nr. Ketten Fuchs | | |
|----------------|--|--------|--------------------------|-----------------------|-----------------------|-----|--|--------|--------------------------|-----------------------|-----------------------|
| | | | 311-110- (+Zähnezahl) | 312-110- (+Zähnezahl) | 313-110- (+Zähnezahl) | | | | 311-110- (+Zähnezahl) | 312-110- (+Zähnezahl) | 313-110- (+Zähnezahl) |
| | | | einfach | zweifach | dreifach | | | | einfach | zweifach | dreifach |
| D1 | D2 | D3 | D1 | D2 | D3 | D1 | D2 | D3 | | | |
| 008 | 28,0 | 24,89 | 6,0 | 6,0 | 6,0 | 044 | 137,6 | 133,52 | 16,0 | 16,0 | 16,0 |
| 009 | 31,0 | 27,85 | 7,0 | 8,0 | 8,0 | 045 | 140,7 | 136,55 | 16,0 | 16,0 | 16,0 |
| 010 | 34,0 | 30,82 | 7,0 | 8,0 | 10,0 | 046 | 143,7 | 139,58 | 16,0 | 16,0 | 16,0 |
| 011 | 37,0 | 33,80 | 8,0 | 10,0 | 10,0 | 047 | 146,7 | 142,61 | 16,0 | 16,0 | 16,0 |
| 012 | 40,0 | 36,80 | 8,0 | 10,0 | 10,0 | 048 | 149,7 | 145,64 | 16,0 | 16,0 | 16,0 |
| 013 | 43,0 | 39,79 | 8,0 | 10,0 | 10,0 | 049 | 152,7 | 148,66 | 16,0 | 16,0 | 16,0 |
| 014 | 46,3 | 42,80 | 8,0 | 10,0 | 12,0 | 050 | 155,7 | 151,69 | 16,0 | 16,0 | 16,0 |
| 015 | 49,3 | 45,81 | 8,0 | 10,0 | 12,0 | 051 | 158,7 | 154,72 | 16,0 | 16,0 | 20,0 |
| 016 | 52,3 | 48,82 | 10,0 | 12,0 | 12,0 | 052 | 161,8 | 157,75 | 16,0 | 16,0 | 20,0 |
| 017 | 55,3 | 51,83 | 10,0 | 12,0 | 12,0 | 053 | 164,8 | 160,78 | 16,0 | 16,0 | 20,0 |
| 018 | 58,3 | 54,85 | 10,0 | 12,0 | 12,0 | 054 | 167,8 | 163,82 | 16,0 | 16,0 | 20,0 |
| 019 | 61,3 | 57,87 | 10,0 | 12,0 | 12,0 | 055 | 170,8 | 166,85 | 16,0 | 16,0 | 20,0 |
| 020 | 64,3 | 60,89 | 10,0 | 12,0 | 12,0 | 056 | 173,8 | 169,88 | 16,0 | 16,0 | 20,0 |
| 021 | 68,0 | 63,91 | 10,0 | 12,0 | 14,0 | 057 | 176,9 | 172,91 | 16,0 | 16,0 | 20,0 |
| 022 | 71,0 | 66,93 | 10,0 | 12,0 | 14,0 | 058 | 179,9 | 175,93 | 16,0 | 16,0 | 20,0 |
| 023 | 73,5 | 69,95 | 10,0 | 12,0 | 14,0 | 059 | 183,0 | 178,96 | 16,0 | 16,0 | 20,0 |
| 024 | 77,0 | 72,97 | 10,0 | 12,0 | 14,0 | 060 | 186,0 | 181,99 | 16,0 | 16,0 | 20,0 |
| 025 | 80,0 | 76,00 | 10,0 | 12,0 | 14,0 | 062 | 192,1 | 188,06 | 20,0 | 20,0 | 20,0 |
| 026 | 83,0 | 79,02 | 10,0 | 12,0 | 14,0 | 064 | 198,2 | 194,12 | 20,0 | 20,0 | 20,0 |
| 027 | 86,0 | 82,02 | 10,0 | 12,0 | 14,0 | 065 | 201,6 | 197,15 | 20,0 | 20,0 | 20,0 |
| 028 | 89,0 | 85,07 | 10,0 | 12,0 | 14,0 | 066 | 204,6 | 200,18 | 20,0 | 20,0 | 25,0 |
| 029 | 92,0 | 88,09 | 10,0 | 12,0 | 14,0 | 068 | 210,7 | 206,24 | 20,0 | 20,0 | 25,0 |
| 030 | 94,7 | 91,12 | 10,0 | 12,0 | 14,0 | 070 | 216,7 | 212,30 | 20,0 | 20,0 | 25,0 |
| 031 | 98,3 | 94,15 | 12,0 | 14,0 | 16,0 | 072 | 222,8 | 218,37 | 20,0 | 20,0 | 25,0 |
| 032 | 101,3 | 97,17 | 12,0 | 14,0 | 16,0 | 075 | 231,9 | 227,46 | 20,0 | 20,0 | 25,0 |
| 033 | 104,3 | 100,20 | 12,0 | 14,0 | 16,0 | 076 | 234,9 | 230,49 | 20,0 | 20,0 | 25,0 |
| 034 | 107,3 | 103,23 | 12,0 | 14,0 | 16,0 | 078 | 241,0 | 236,55 | 20,0 | 20,0 | 25,0 |
| 035 | 110,4 | 106,26 | 12,0 | 14,0 | 16,0 | 080 | 247,1 | 242,61 | 20,0 | 20,0 | 25,0 |
| 036 | 113,4 | 109,29 | 12,0 | 14,0 | 16,0 | 085 | 262,2 | 257,77 | 20,0 | 20,0 | 25,0 |
| 037 | 116,4 | 112,32 | 12,0 | 14,0 | 16,0 | 090 | 277,4 | 272,93 | 20,0 | 20,0 | 25,0 |
| 038 | 119,5 | 115,35 | 12,0 | 14,0 | 16,0 | 095 | 292,5 | 288,08 | 20,0 | 20,0 | 25,0 |
| 039 | 122,5 | 118,37 | 12,0 | 14,0 | 16,0 | 100 | 307,7 | 303,25 | 20,0 | 20,0 | 25,0 |
| 040 | 125,5 | 121,40 | 12,0 | 14,0 | 16,0 | 110 | 338,0 | 333,55 | 20,0 | 20,0 | 25,0 |
| 041 | 128,5 | 124,43 | 16,0 | 16,0 | 16,0 | 114 | 349,5 | 345,68 | 20,0 | 20,0 | 25,0 |
| 042 | 131,6 | 127,46 | 16,0 | 16,0 | 16,0 | 120 | 368,3 | 363,86 | 20,0 | 20,0 | 25,0 |
| 043 | 134,6 | 130,49 | 16,0 | 16,0 | 16,0 | 125 | 383,5 | 379,02 | 20,0 | 20,0 | 25,0 |

Kettenradscheibe 3/8 x 7/32"

für Rollenkette
nach DIN-Nr. 8187
ISO/R 606 – ANSI B 29.1



*Kettenräder mit angeschweißter Nabe

| Kettenradscheibe | ISO mm | ASA-35 mm |
|--------------------------------|--------|-----------|
| Zahnkopfrundung r ₃ | 10 | 10 |
| Breite der Rundung C | 1 | 1,2 |
| Zahnkranzbreite B ₁ | 5,3 | 4,3 |
| Zahnkranzbreite b ₁ | 5,2 | 4,1 |
| Zahnkranzbreite B ₂ | 15,4 | 14,3 |
| Zahnkranzbreite B ₃ | 25,6 | 24,4 |
| Kette | mm | mm |
| Teilung | 9,525 | 9,525 |
| Innere Breite | 5,72 | 4,77 |
| Rollen-ø | 6,35 | 5,08 |